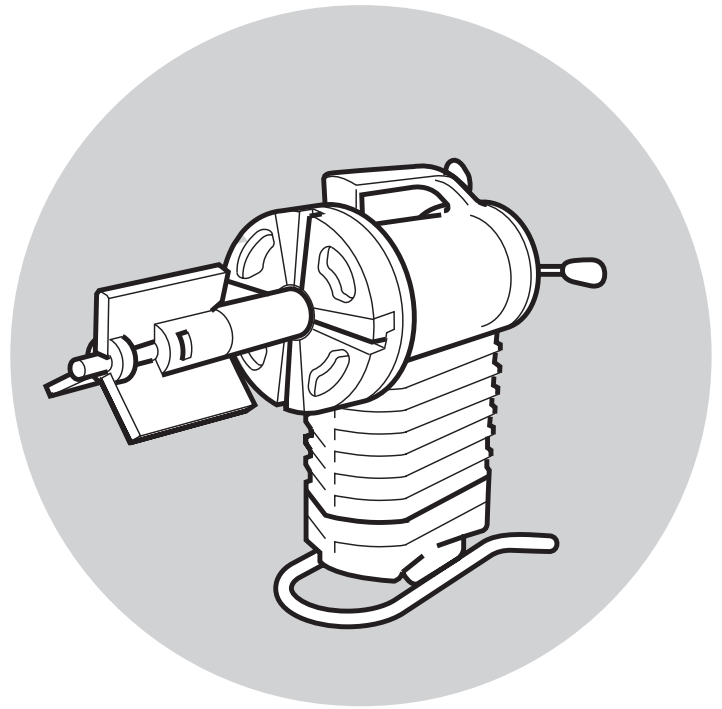


Spare parts list

Pipe End Preparation
Machines

REB 6, REB 14, REB 20
(Compressed air)



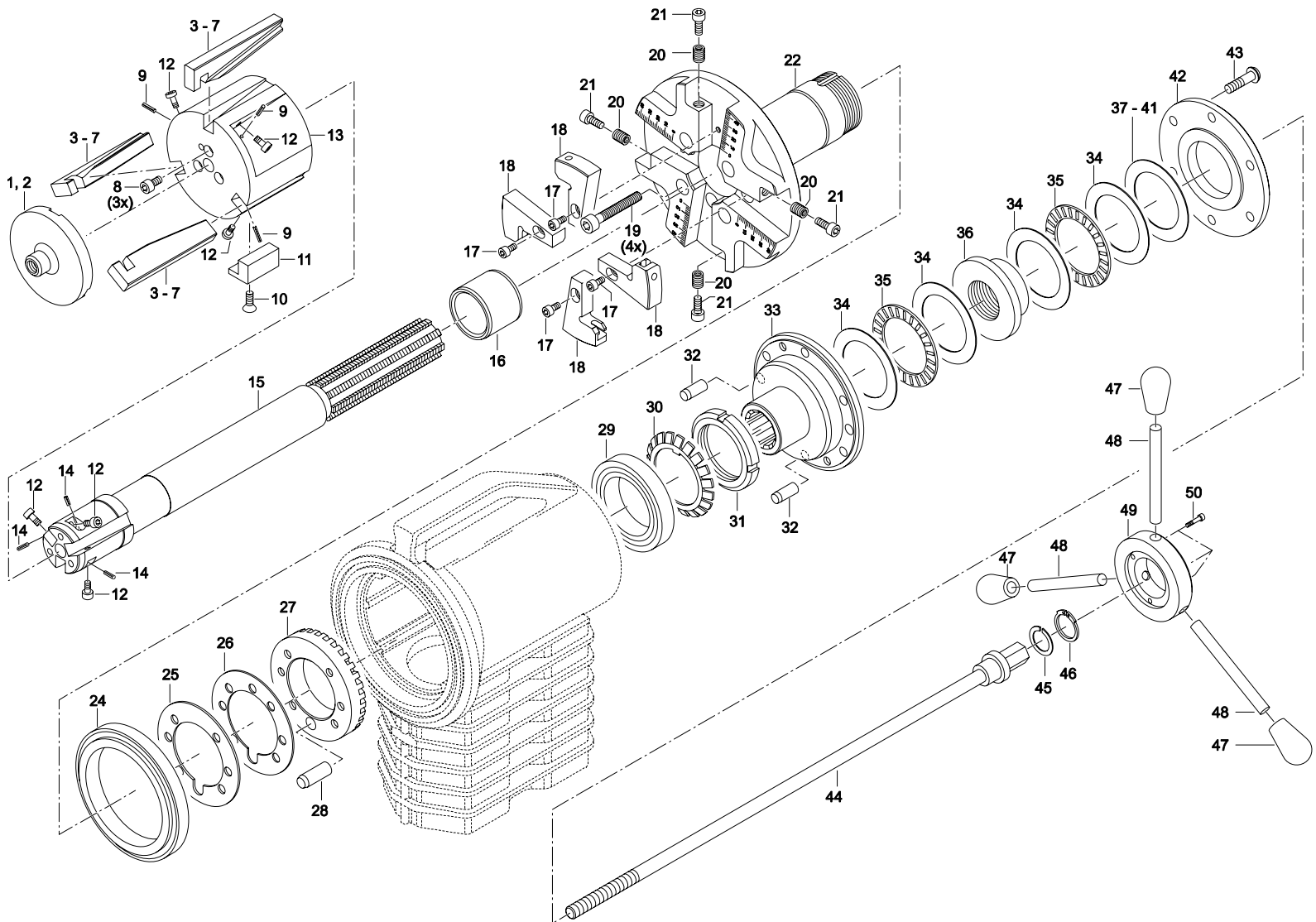
Code 790 093 757

| Machine-No.:

Table of contents

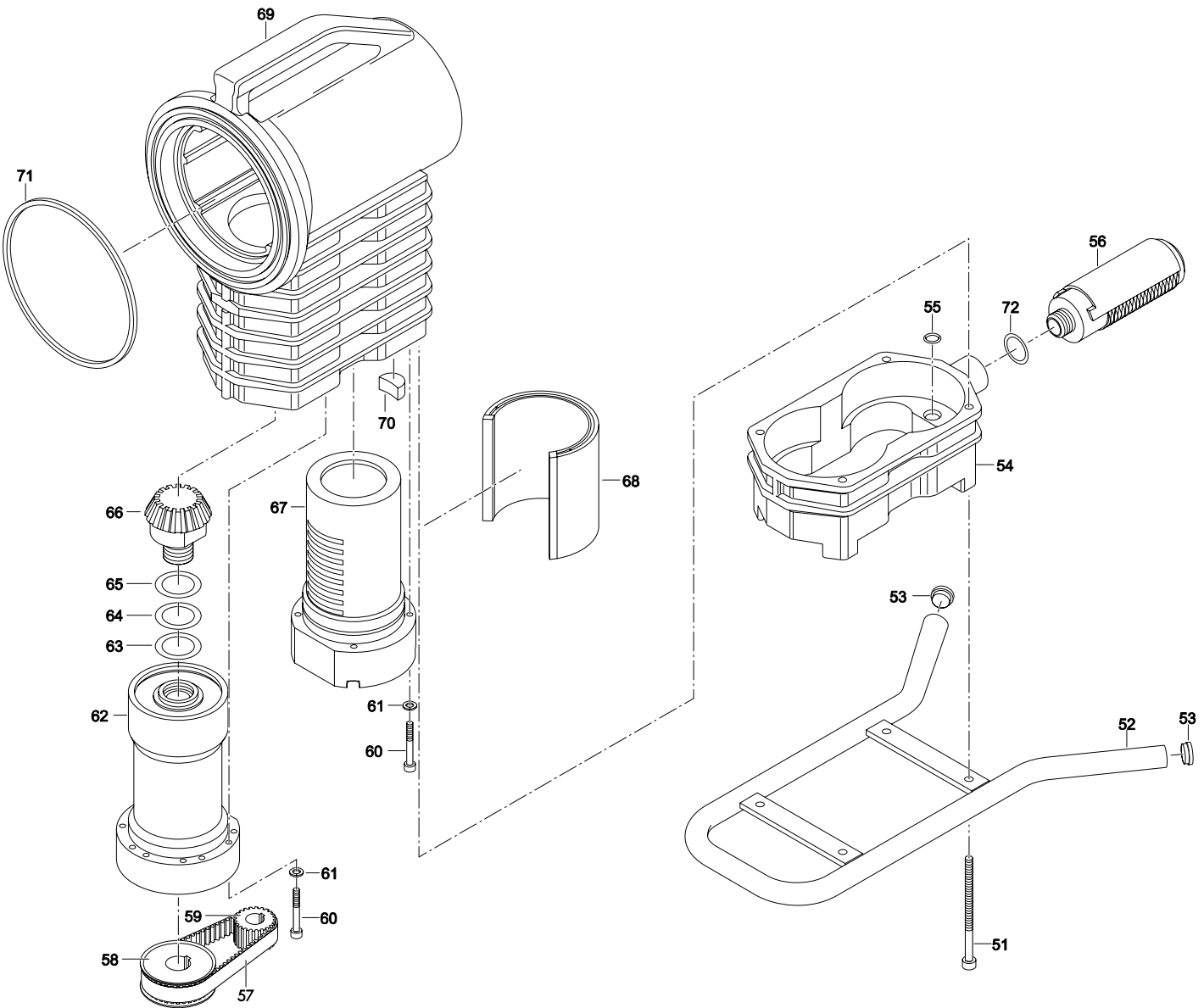
	Page
REB 6, Mandrel and clamping head	2
REB 6, Housing	4
REB 14, REB 20, Mandrel and clamping head	6
REB 14, REB 20, Bearing	8
REB 14, REB 20, Housing	10
REB 6, REB 14, REB 20, Motor	12
REB 6, REB 14, REB 20, Gearbox	14
Servicing, customer service	17

REB 6, Mandrel and clamping head



Item No.	Part Number	Description
1	790 093 152	Clamping disc Ø 35 mm
2	790 093 154	Clamping disc Ø 90 mm
3	790 093 134	Chucking wedge 49 - 60/104 - 115
4	790 093 136	Chucking wedge 60 - 71/115 - 126
5	790 093 138	Chucking wedge 71 - 82/126 - 137
6	790 093 140	Chucking wedge 82 - 93/137 - 148
7	790 093 142	Chucking wedge 93 - 104/148 - 159
8	030 5501 214	Cap screw M6 x 12
9	056 6958 075	Spring pin 3 x 14
10	030 2301 214	Screw M6 x 12
11	790 093 132	Wedge
12	790 094 150	Screw for chucking wedge
13	790 093 130	Clamping head
14	056 6958 072	Spring pin 3 x 8
15	790 093 128	Mandrel
16	790 093 157	Bush 50 x 41
17	790 092 232	Shoulder screw M5 x 10
18	790 093 282	Wedge for tool carrier
19	030 5601 284	Cap screw M8 x 30
20	790 133 303	Threaded insert
21	030 5501 216	Cap screw M6 x 16
22	790 093 110	Tool carrier
24	790 093 118	Taper roller bearing
25	790 093 113	Spacer 100 x 62.2 x 2
26	790 093 122	Spacer 100 x 62.2 x 1.5

Item No.	Part Number	Description
27	790 093 102	Bevel gear z = 32
28	056 5808 675	Parellel Pin 12 x 32
29	790 093 119	Taper roller bearing
30	790 093 121	Lock nut washer
31	790 093 120	Lock nut M55 x 2
32	056 5808 621	Parellel pin 10 x 24
33	790 093 160	Spline shaft hub
34	790 093 164	Axial bearing shift
35	790 093 163	Axial needle bearing
36	790 093 162	Feed nut
37	790 093 165	Spacer 55 x 78 x 0.1
38	790 093 166	Spacer 55 x 78 x 0.12
39	790 093 167	Spacer 55 x 78 x 0.15
40	790 093 168	Spacer 55 x 78 x 0.2
41	790 093 169	Spacer 55 x 78 x 0.25
42	790 093 156	Housing cover
43	030 7001 274	Cap screw M8 x 30
44	790 093 230	Threaded spindle
45	790 093 242	Spring washer 20 x 28 x 1
46	790 093 241	Safety clip 28
47	790 093 117	Handle
48	056 5800 652	Parellel pin 10 x 100
49	790 093 116	Handle disc
50	030 5501 119	Cap screw M4 x 20

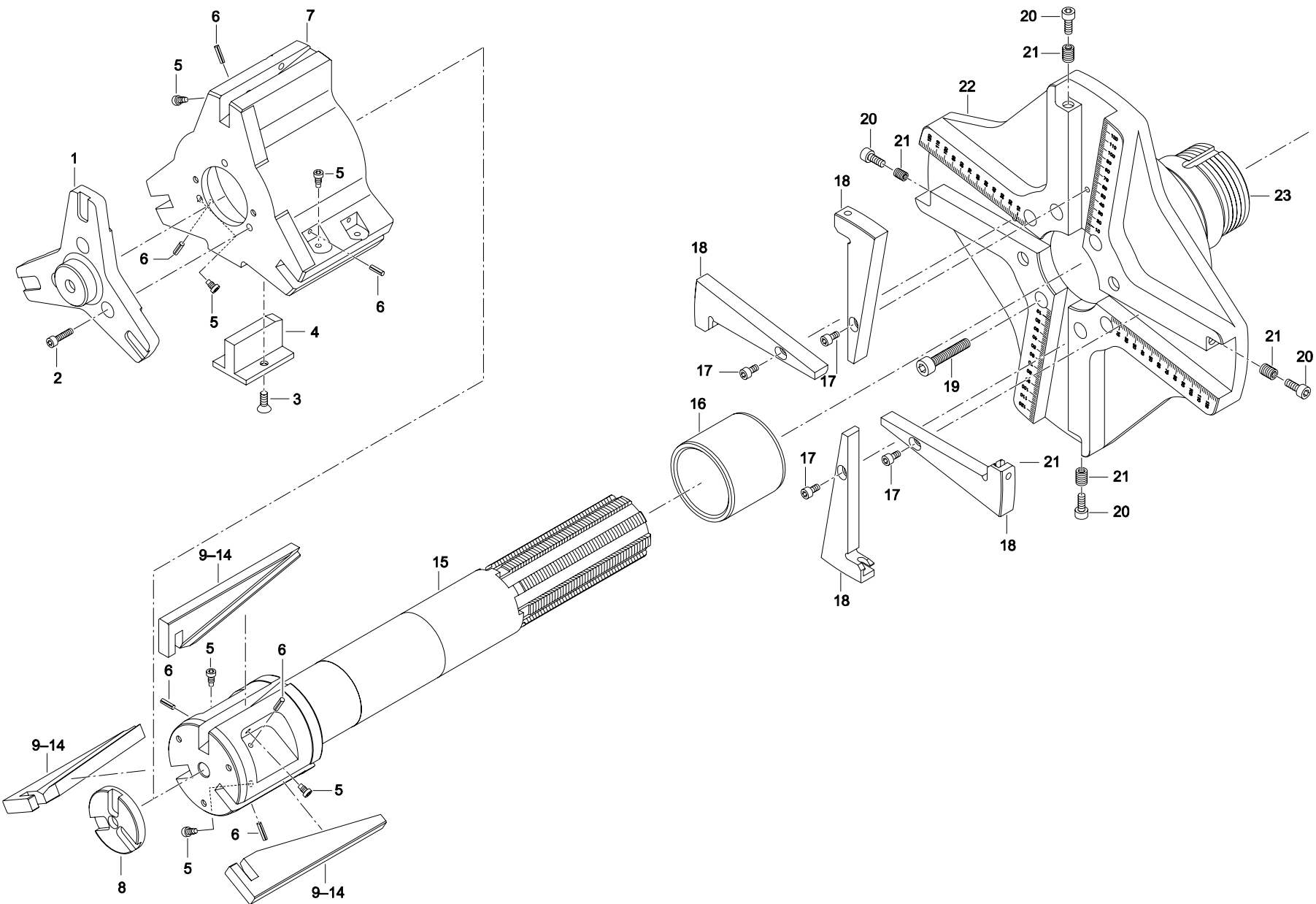


REB 6, Housing

Item No.	Part Number	Description
51	030 5601 252	Cap screw M6 x 100
52	790 093 150	Floor stand
53	790 093 248	Plug
54	790 093 240	Housing cover for REB 6, REB 14, REB 20
55	790 093 175	O-ring 14 x 1.6
56	790 093 186	Regulating valve
57	790 093 327	Toothed belt
58	790 093 328	Counter pulley on gearbox
59	790 093 326	Motor pulley
60	030 5505 178	Cap screw M5 x 40
61	055 3051 310	Spring washer 5

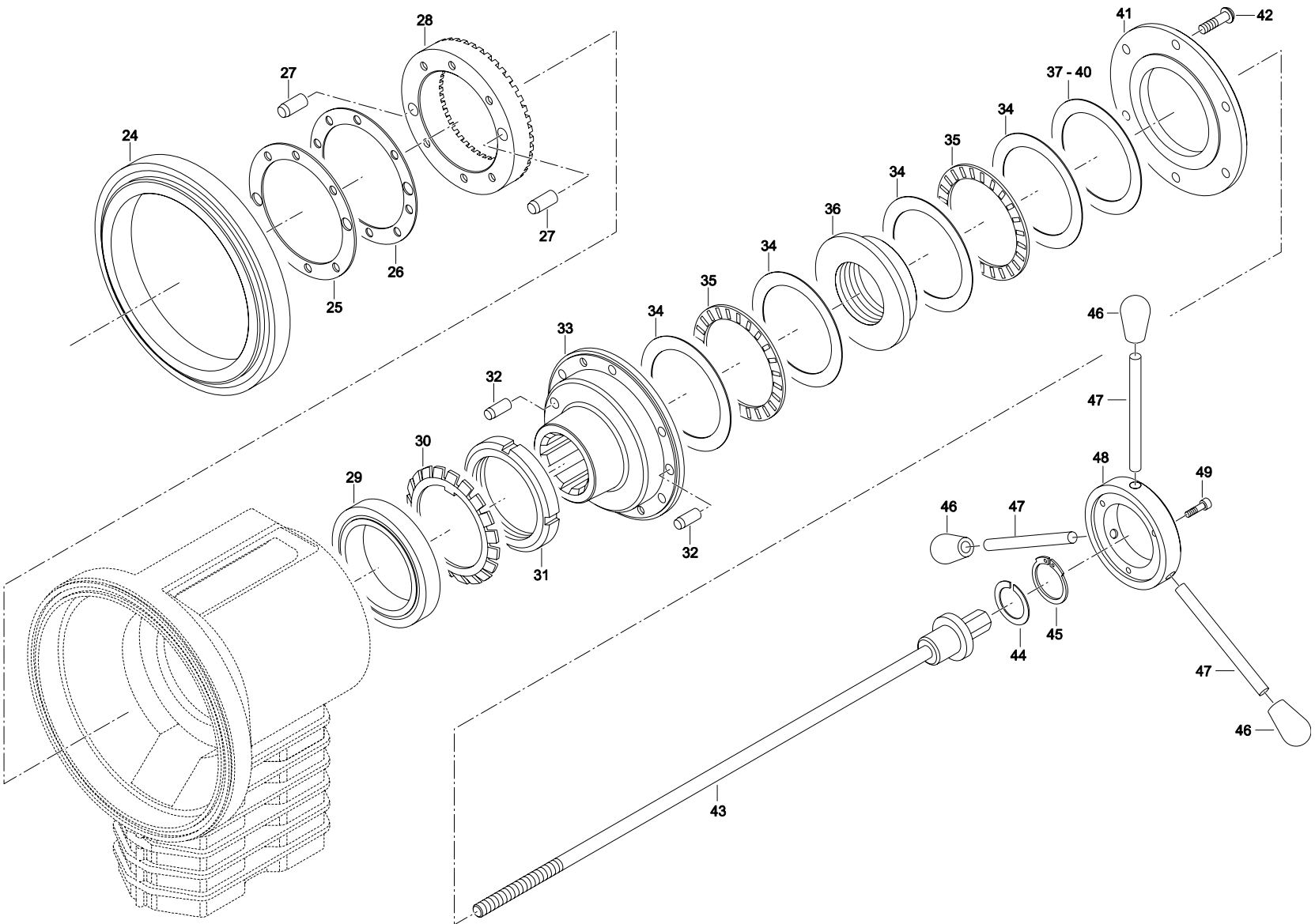
Item No.	Part Number	Description
62	790 093 124	Gearbox for REB 6, REB 14, REB 20 (See other spare parts list)
63	790 093 229	Spacer 26 x 37 x 0.5
64	790 093 228	Spacer 26 x 37 x 0.2
65	790 093 227	Spacer 26 x 37 x 0.1
66	790 093 104	Pinion z = 16
67	790 093 123	Compressed air motor for REB 6, REB 14, REB 20 (See other spare parts list)
68	790 093 187	Exhaust air filter
69	790 093 106	Housing
70	790 093 278	Sealing plug
71	790 093 171	Felt strip 0.47 m
72	790 201 361	Adjusting washer 27 x 21 x 0.1

REB 14, REB 20, Mandrel and clamping head



Item No.	Part Number	Description
1	790 094 154	Clamping disc Ø 174 (REB 14)
	790 094 246	Clamping disc Ø 250 (REB 20)
	790 094 248	Clamping disc Ø 364 (REB 20)
2	030 5501 219	Cap screw M6 x 20
3	030 2305 214	Screw M6 x 12
4	790 094 132	Carrier wedge
5	790 094 150	Screw for chucking wedge
6	056 6958 115	Spring pin 4 x 14
7	790 094 130	Clamping head 206 - 320 (REB 14)
	790 094 242	Clamping head 282 - 396 (REB 20)
	790 094 244	Clamping head 396 - 510 (REB 20)
8	790 094 152	Clamping disc Ø 60
9	790 094 134	Chucking wedge 92 - 111/206 - 225
10	790 094 136	Chucking wedge 111 - 130/225 - 244
11	790 094 138	Chucking wedge 130 - 149/244 - 263

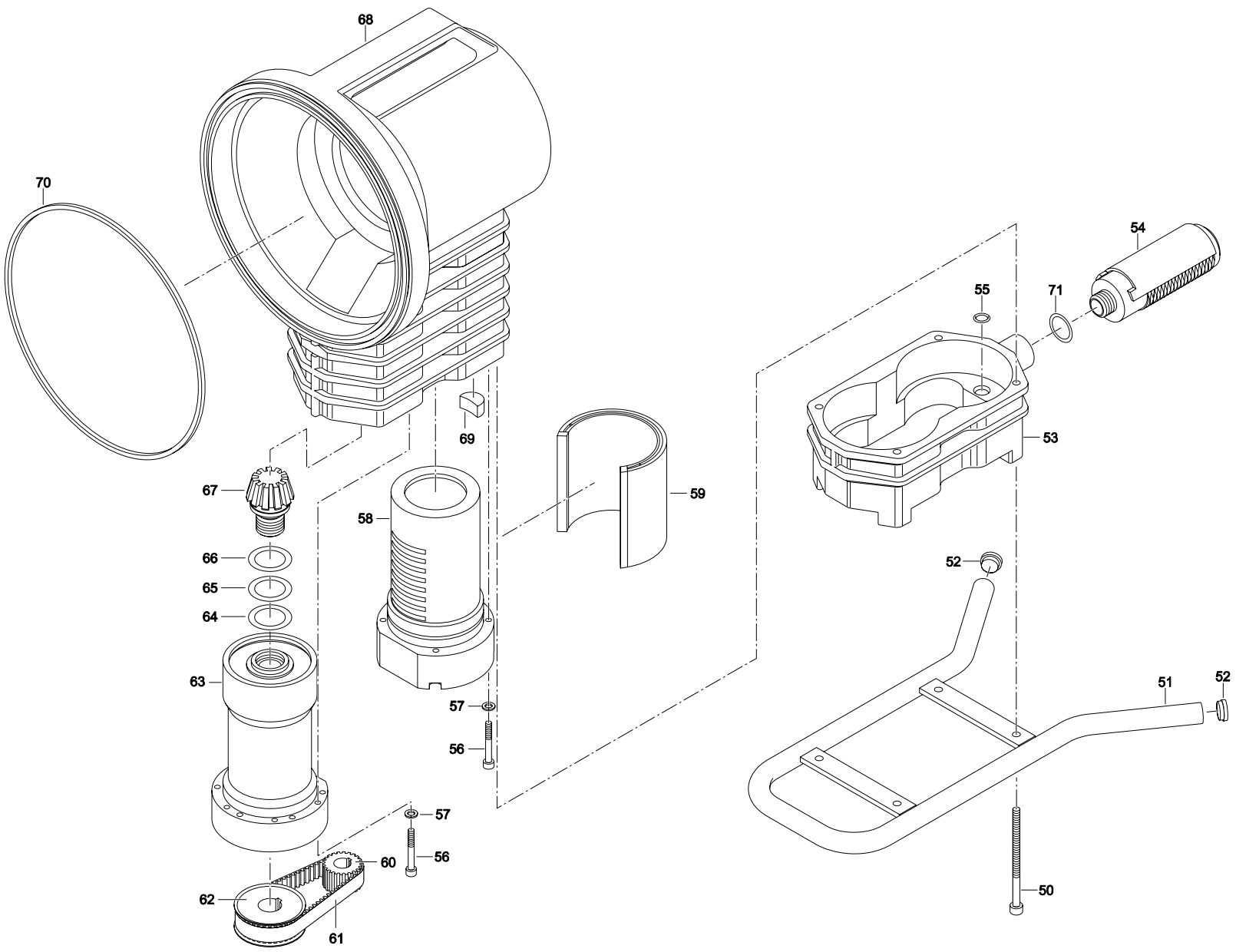
Item No.	Part Number	Description
12	790 094 140	Chucking wedge 149 - 168/263 - 282
13	790 094 142	Chucking wedge 168 - 187/282 - 301
14	790 094 144	Chucking wedge 187 - 206/301 - 320
15	790 094 128	Mandrel
16	790 094 157	Bush
17	790 092 232	Shoulder screw M5 x 10
18	790 094 112	Wedge for tool support
19	030 5601 288	Cap screw M8 x 45, 4 pieces (REB 14)
	030 5505 290	Cap screw M8 x 70, 4 pieces (REB 20)
	030 5501 278	Cap screw M8 x 40, 2 pieces (REB 14 / REB 20)
20	030 5501 216	Cap screw M6 x 16
21	790 133 303	Threaded insert
22	790 094 238	Tool carrier disc (REB 14)
	790 094 240	Tool carrier disc (REB 20)
23	790 094 236	Bearing flange for tool support



REB 14, REB 20, Bearing

Item No.	Part Number	Description
24	790 094 118	Taper roller bearing
25	790 094 113	Spacer 130 x 100.2 x 2
26	790 094 122	Spacer 130 x 100.2 x 1.5
27	056 5808 692	Parellel pin 12 x 75
28	790 094 102	Bevel gear z = 44
29	790 094 119	Taper roller bearing
30	790 094 121	Lock nut washer
31	790 094 120	Lock nut M80 x 2
32	056 5808 621	Parellel pin 10 x 24
33	790 094 160	Spline shaft hub
34	790 094 164	Axial bearing race
35	790 094 163	Axial needle bearing
36	790 094 162	Feed nut

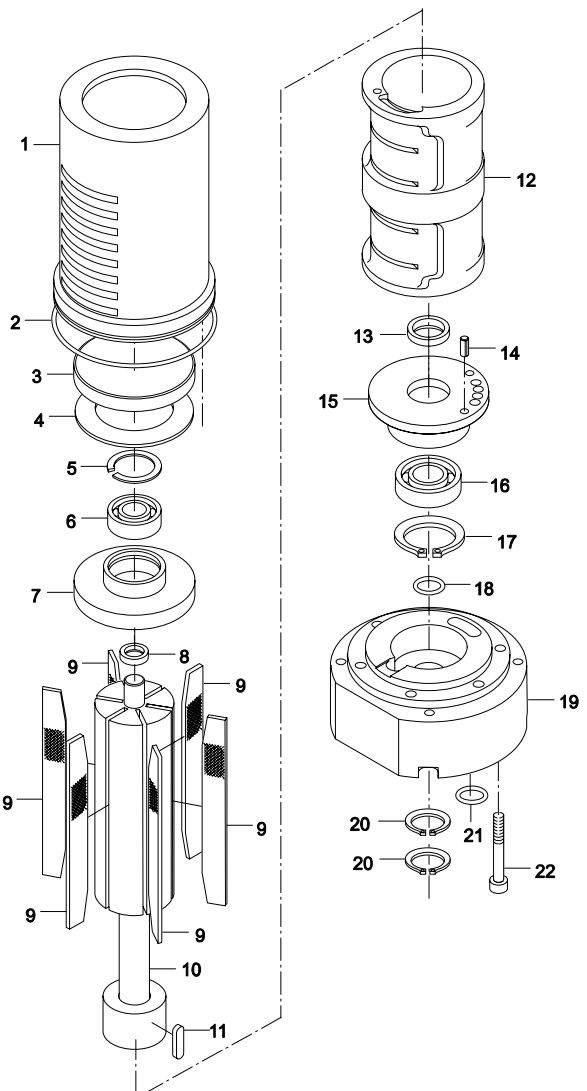
Item No.	Part Number	Description
37	790 094 168	Spacer 90 x 110 x 0.1
38	790 094 169	Spacer 90 x 110 x 0.15
39	790 094 170	Spacer 90 x 110 x 0.2
40	790 094 171	Spacer 90 x 110 x 0.12
41	790 094 156	Housing cover
42	030 7001 274	Cpa screw M8 x 30
43	790 094 149	Threaded spindle
44	790 094 182	Spring washer 30 x 42 x 1
45	790 094 181	Safty clip 42
46	790 093 117	Handle
47	056 5800 660	Parellel pin 10 x 120
48	790 094 166	Handle disc
49	030 5501 169	Cap screw M5 x 20



REB 14, REB 20, Housing

Item No.	Part Number	Description
50	030 5601 252	Cap screw M6 x 100
51	790 093 150	Floor stand
52	790 093 248	Plug
53	790 093 240	Housing cover for REB 6, REB 14, REB 20
54	790 093 186	Regulating valve
55	790 093 175	O-ring 14 x 1.6
56	030 5505 178	Cap screw M5 x 40
57	055 3051 310	Spring washer 5
58	790 093 123	Compressed air motor for REB 6, REB 14, REB 20 (See other spare parts list)
59	790 093 187	Exhaust air filter
60	790 093 326	Motor pulley

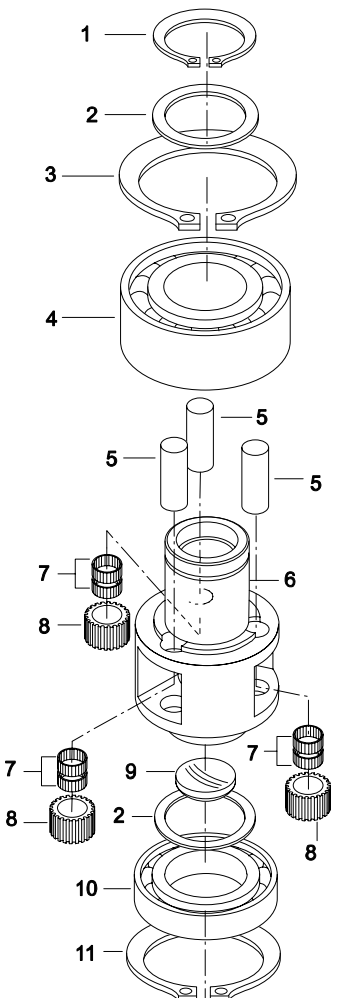
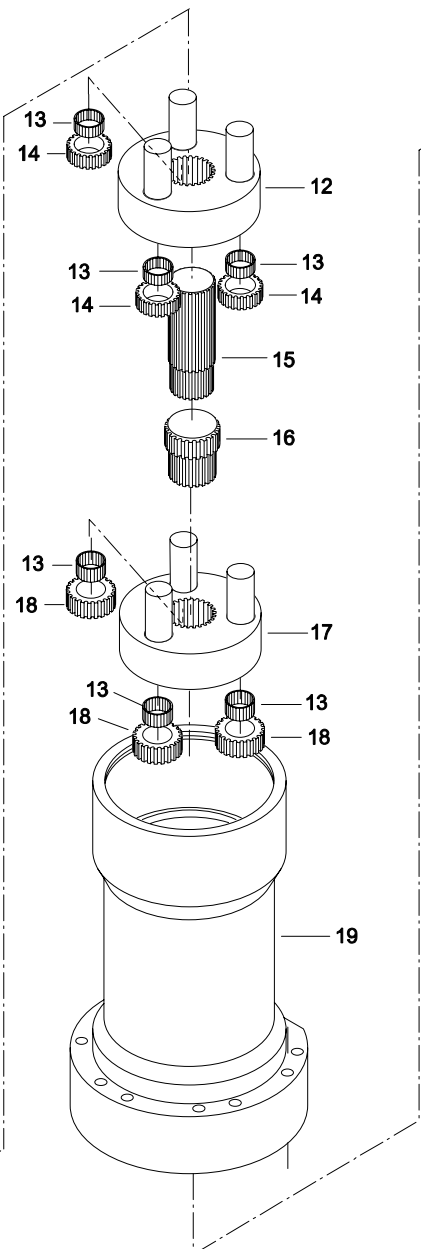
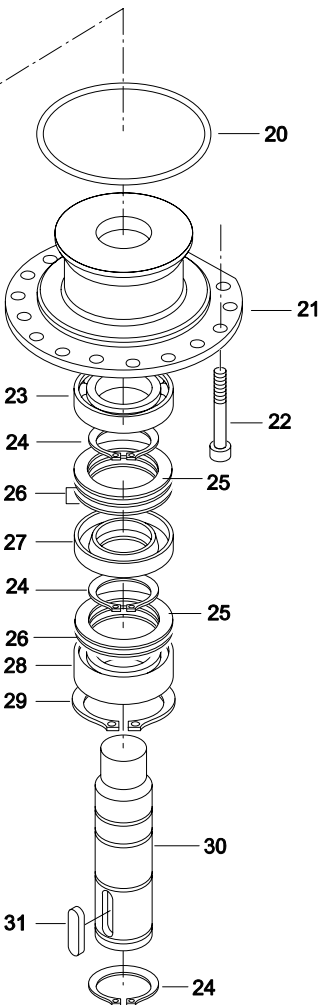
Item No.	Part Number	Description
61	790 093 327	Toothed belt
62	790 093 328	Counter pulley on gearbox
63	790 093 124	Gearbox for REB 6, REB 14, REB 20 (See other spare parts list)
64	790 093 229	Spacer 26 x 37 x 0.5
65	790 093 228	Spacer 26 x 37 x 0.2
66	790 093 227	Spacer 26 x 37 x 0.1
67	790 094 104	Pinion z = 11
68	790 094 106	Housing
69	790 093 278	Sealing plug
70	790 093 171	Felt strip 0.75 m
71	790 201 361	Adjusting washer 27 x 21 x 0.1



REB 6, REB 14, REB 20, Motor

Item No.	Part Number	Description
1	790 093 302	Motor housing DLM
2	790 093 303	O-ring 76 x 2
3	790 093 305	Disc DLM
4	790 093 306	Spacer 60 x 41 x 2.5 DLM
5	055 4058 326	Safty clip 26 x 1.2
6	061 0110 010	Grooved ball bearing 6000
7	790 093 307	Rententive plate DLM
8	790 093 308	Spacer DLM
9	790 093 311	Lamella DLM
10	790 093 310	Rotor DLM
11	056 5000 117	Key A4 x 4 x 16

Item No.	Part Number	Description
12	790 093 309	Cylinder sleeve DLM
13	790 093 313	Spacer DLM
14	056 6958 077	Parellel pin 3 x 16
15	790 093 312	Rententive plate DLM
16	061 0110 015	Grooved ball bearing 6002
17	055 4058 332	Safty clip 32 x 1.2
18	790 093 315	Felt seal DLM
19	790 093 314	Motor cover DLM
20	055 4158 315	Safty clip 15 x 1
21	790 093 304	O-ring 14 x 1.5
22	030 5601 178	Cap screw M5 x 40



REB 6, REB 14, REB 20, Gearbox

Item No.	Part Number	Description
1	055 4158 335	Safety clip 35 x 1.5
2	790 093 335	Spacer 35 x 45 x 1.5
3	055 4058 372	Safety clip 72 x 2.5
4	790 093 336	Angular ball bearing
5	790 093 334	Planet gear pin
6	790 093 330	Planet carrier complete
7	790 093 333	Needle bearing
8	790 093 332	Planet gear
9	790 093 331	Disc
10	061 0100 035	Grooved ball bearing 16007
11	055 4058 362	Safety clip 62 x 2
12	790 093 337	Planet carrier complete
13	790 093 339	Needle bearing
14	790 093 340	Planet gear
15	790 093 338	Sun gear
16	790 093 342	Sun gear

Item No.	Part Number	Description
17	790 093 341	Planet carrier complete
18	790 093 343	Planet gear
19	790 093 329	Gear housing
20	790 093 346	O-ring 69 x 1.5
21	790 093 345	Bearing housing
22	030 5501 164	Cap screw M5 x 12
23	061 0100 020	Grooved ball bearing 16004
24	055 4158 320	Safety clip 20 x 1.2
25	055 4307 030	Spacer 30 x 42 x 1.0
26	055 4307 130	Spacer 30 x 42 x 0.1
27	790 093 344	Motor shaft seal 20 x 42 x 7
28	061 0810 020	Grooved ball bearing 6004-2RS
29	055 4058 342	Safety clip 42 x 1.75
30	790 093 347	Sun shaft
31	056 5000 168	Key A5 x 5 x 17

Servicing, customer service

For ordering spare parts and for problem solving, please contact your branch office directly.

For ordering spare parts please give the following details:

- Machine-Type: **REB 6, REB 14** or **REB 20 compressed air**
- Name of spare parts
- Part Number

Orbitalum Tools GmbH
Josef-Schüttler-Straße 17
78224 Singen, Deutschland
Tel. +49 (0) 77 31 / 792-0
Fax +49 (0) 77 31 / 792-524
tools@orbitalum.com
www.orbitalum.com

An ITW Company

790 093 757_05/04 (07.08)
© Orbitalum Tools GmbH
D-78224 Singen 2008
Printed in Germany